

US 360

COM1 - in-ceiling installation
 EAN 4007841 079611
 Article number 079611



ultrasonic sensor
360°



max. Ø 6 m
presence

2000 W

max. 2000 W



IP20



ideal 2.5 - 3.5 m



indoor sensor

iQ

iQ-mode

Teach

Teach mode



energy saving

5 years

manufacturer's
warranty steinel-
professional.de/
garantie

Function description

Detects without obstructions. 360° ultrasonic presence detector US 360, ideal for offices, conference rooms, store rooms and class rooms. 28 sq.m. presence detection zone, immune to obstacles, envelops objects as opposed to penetrating them, detection regardless of temperature, electronically adjustable reach, COM1 for switching light ON and OFF.

Technical specifications

Dimensions (L x W x H)	105 x 120 x 120 mm
Manufacturer's Warranty	5 years
Settings via	Remote control, DIP switches, Potentiometers, Smart Remote
With remote control	No
Version	COM1 - in-ceiling installation
PU1, EAN	4007841079611
Type	Presence detector
Application, place	Indoors
Application, room	classroom, one-person office, open-plan office, conference room / meeting room, duty room, recreation room, function room / ancillary room, stairwell, WC / washroom, Indoors
Colour	white
Colour, RAL	9010
Includes corner wall mount	No
Installation site	ceiling

Ultrasonic technology	40 kHz
Detection angle	360 °
Angle of aperture	180 °
Sneak-by guard	Yes
Capability of masking out individual segments	No
Electronic scalability	Yes
Mechanical scalability	No
Reach, radial	Ø 10 m (79 m ²)
Reach, tangential	Ø 6 m (28 m ²)
Reach, presence	Ø 6 m (28 m ²)
Functions	Normal / test mode, Semi-/fully automatic, Pushbutton / switch mode, Manual ON / ON-OFF
Twilight setting	10 – 1000 lx
Time setting	30 s – 30 Min.
Basic light level function	No
Main light adjustable	No

US 360

COM1 - in-ceiling installation
EAN 4007841 079611
Article number 079611



Technical specifications

Installation	In-ceiling installation, Ceiling	Twilight setting TEACH	Yes
IP-rating	IP20	Constant-lighting control	No
Ambient temperature	from -25 up to 55 °C	Interconnection	Yes
Material	Plastic	Type of interconnection	Master/master, Master/slave
Mains power supply	230 V / 50 – 60 Hz	Interconnection via	Cable
Technology, sensors	Ultrasonic, Light sensor	Interconnection, number	max. 10 sensors
Mounting height	2,50 – 3,50 m	Product category	Presence detector
Mounting height max.	3,50 m		
Optimum mounting height	2,8 m		

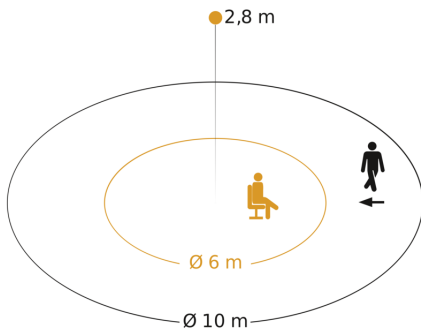
Accessories

EAN 4007841 009151	Remote control Smart Remote
EAN 4007841 559410	Service remote control RC8

US 360

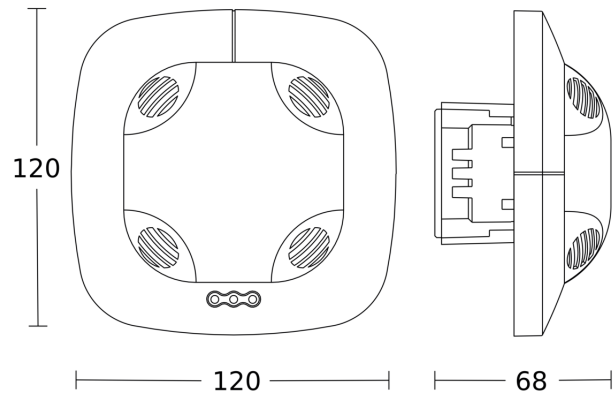
COM1 - in-ceiling installation
 EAN 4007841 079611
 Article number 079611

Detection Zone

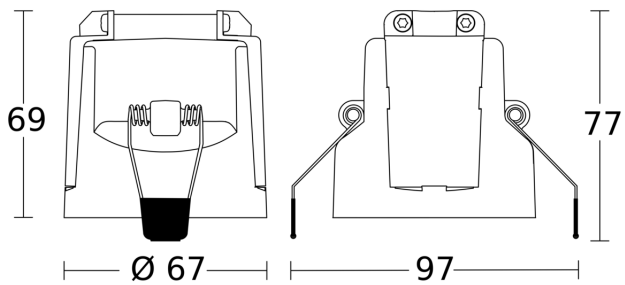


Possible mounting height: 2,50 m - 3,50 m
 Orange: presence and tangential
 Black: radial

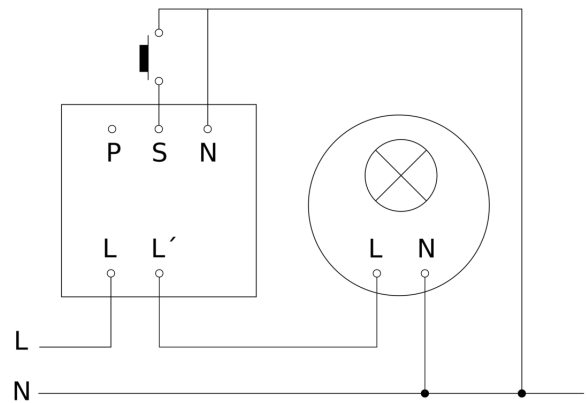
Dimension Drawing 1



Dimension Drawing 2



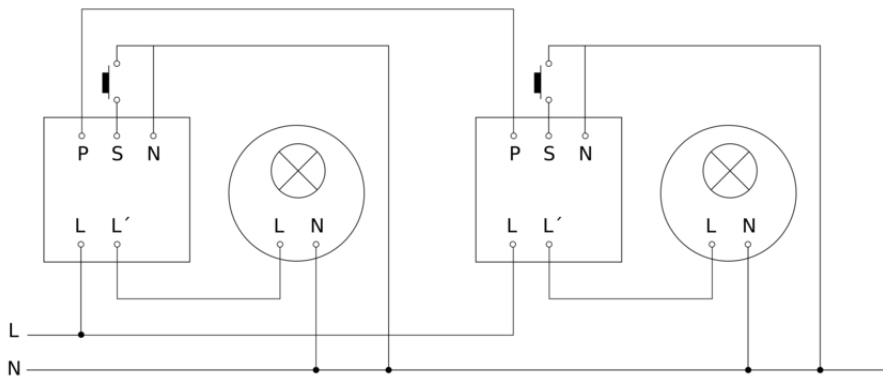
Master circuit diagram



US 360

COM1 - in-ceiling installation
EAN 4007841 079611
Article number 079611

Master/master interconnection circuit diagram



Master/slave interconnection circuit diagram

